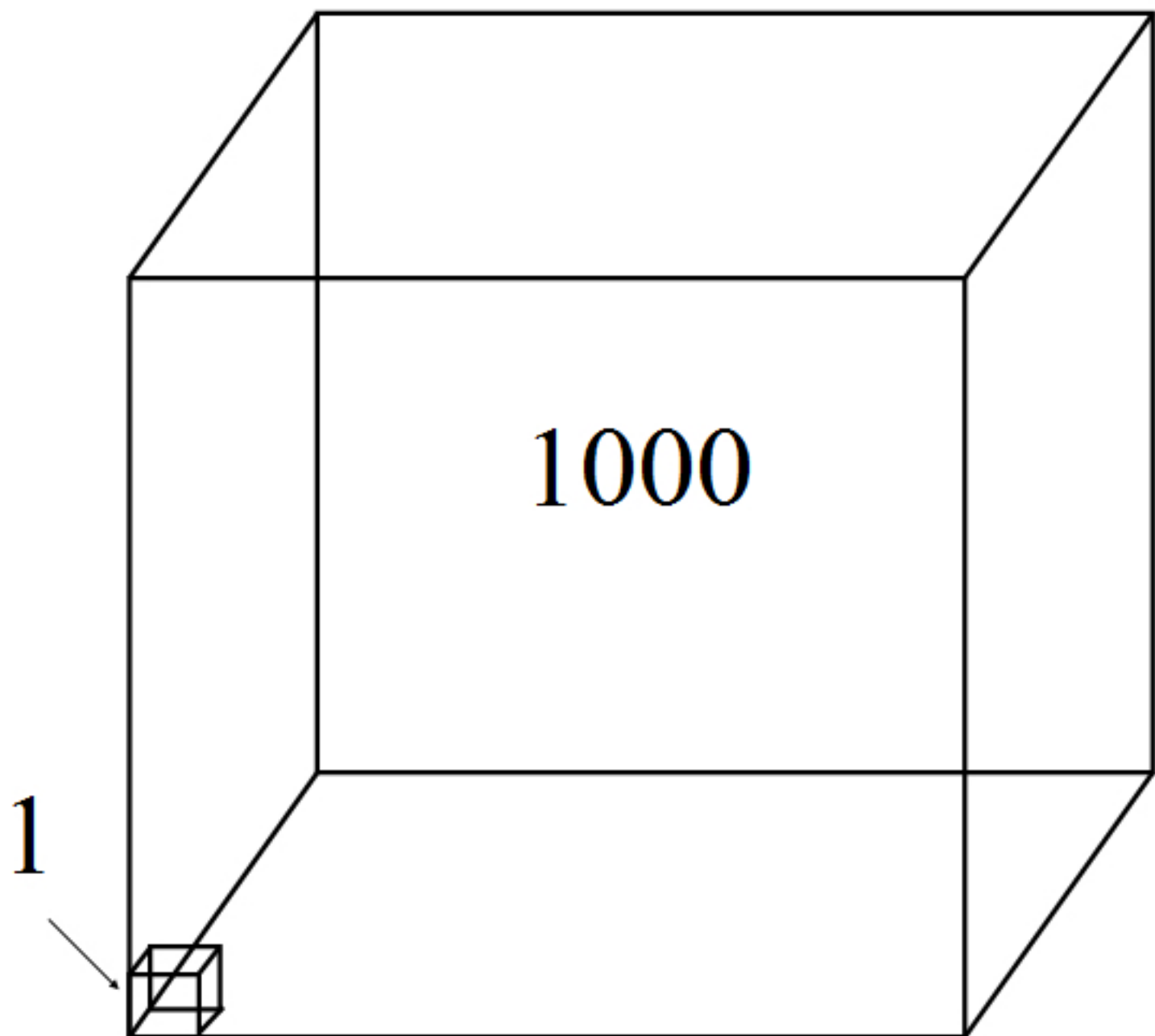


Numbers from 1 to 1000



TRICKY QUESTIONS:

1. How would you represent the number 10 ?
2. How would you represent the number 100 ?
3. How would you represent the number 3000?